

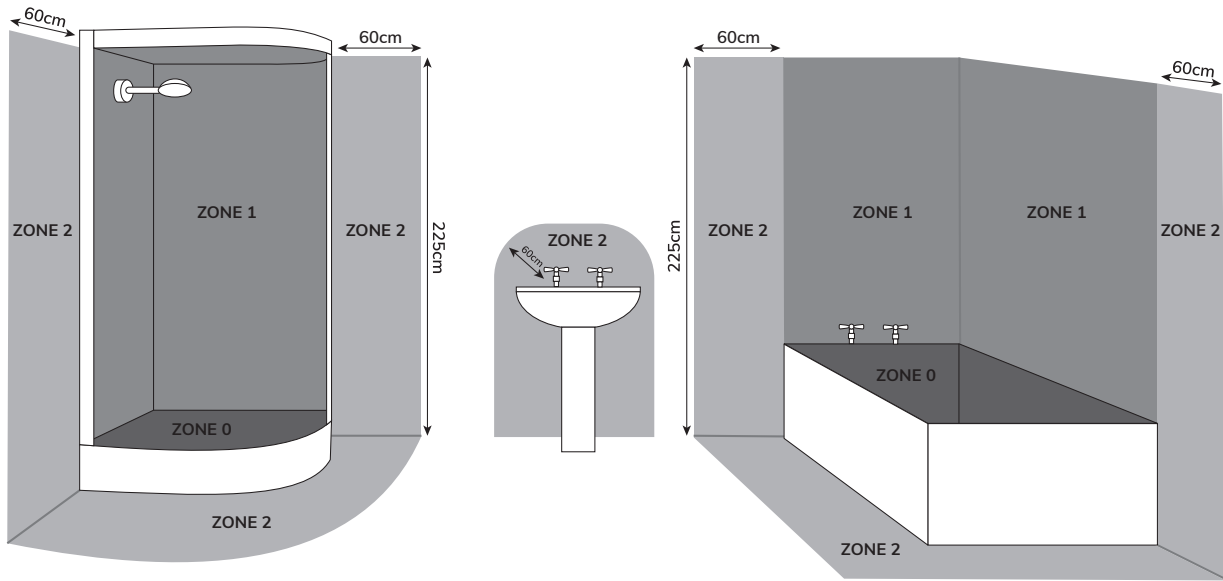


PULL CORD SWITCH

WARNING Never take risks with electrical safety. Always disconnect the mains power before beginning any electrical work and test that it is isolated - it is NOT enough just to turn off the light switch. Electrical products must be installed in accordance with IET regulations (BS 7671). If you are in any doubt, always consult a qualified electrician or an experienced person registered with an electrical Competent Person Scheme. Further information is available online or from your Local Authority. If the lighting circuit is not protected by a Residual Current Device (RCD) then the installation should be carried out and tested by a qualified electrician. If necessary, use a suitable stepladder, but first read the useful advice given by the Health and Safety Executive. Visit www.hse.gov.uk and search for 'using stepladders'.

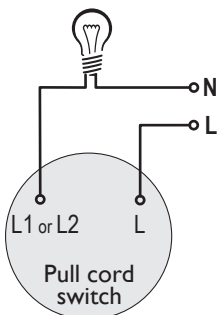
Your pull cord switch

Your pull cord light switch is suitable for indoor use only. If installing in a bathroom, always ensure that this is beyond bathroom zones 0, 1 & 2.

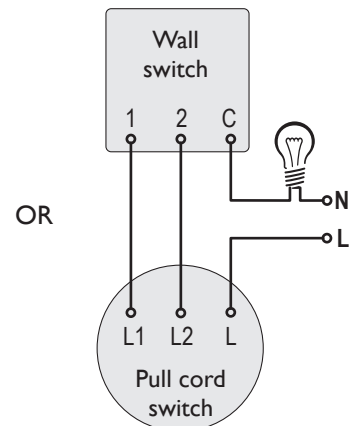
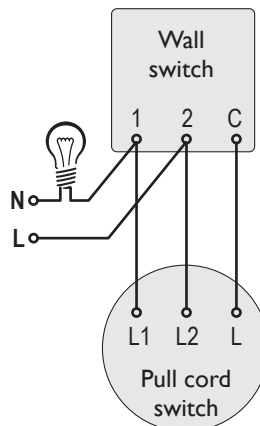


Your pull cord light switch can be used in either a 1-way or a 2-way installation. *Note: The earth connections are not shown in these diagrams but they are essential.*

In a 2-way installation, such as for a bedroom light which can be switched from the wall, as well as by your pull cord switch, the wiring will be achieved in either of two ways:

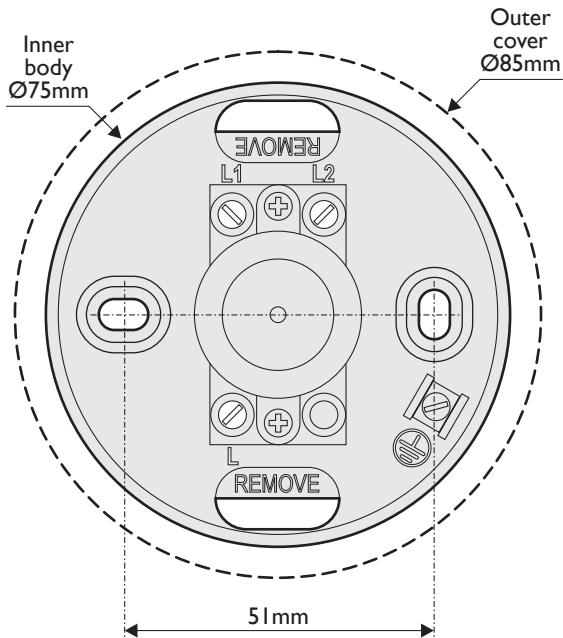


In a 1-way installation, you simply connect the Live mains feed to the L terminal and the wire from the bulb to either the L1 or L2 terminal (shown left).



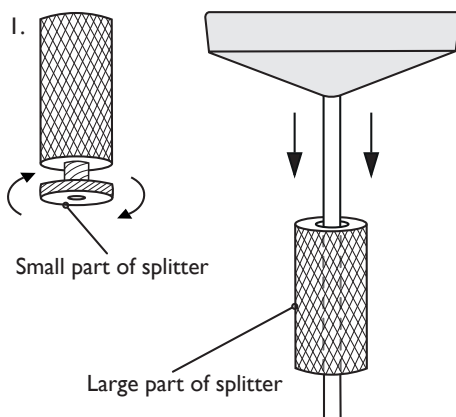
Fitting your pull cord switch

- 1 Ensure that the mains supply to the circuit is isolated.
- 2 Open the existing pull cord switch and remove the two screws securing it.
- 3 Take a photo of the connections to its terminals.
- 4 Disconnect the wires from the existing switch and remove it from the installation.
- 5 Unscrew the cover from your pull cord switch.
- 6 Carefully secure your switch to the ceiling and feed the cables into it via the two access holes. If necessary, remove the tabs to increase the size of the access holes.
- 7 Connect the wires to your switch in the same way that they were connected to the previous one.
- 8 Ensure that a valid earth connection is made to the \perp terminal. Ensure that the bare copper earth connections have green/yellow sleeves to isolate them from other connections. Check that all screw terminals are properly tightened and no bare wires are visible.
- 9 Replace the cover on your switch in place and test it.

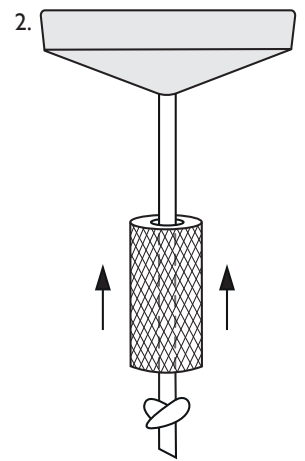


To attach the pull cord

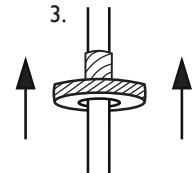
- 1 Unscrew the splitter, take the larger part and feed the cord that's attached to the ceiling rose through the smaller hole so that it comes through the other side.



- 2 Tie a knot at the end of the cord and pull the larger part of the splitter back over the knot to secure it in place.



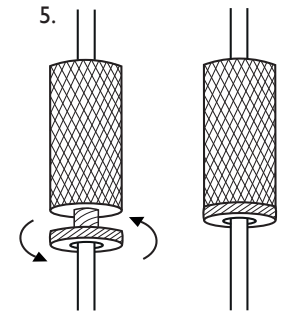
- 3 Take the smaller part of the splitter, feed one end of the other piece of cord through the flat end so that it comes through the other side.



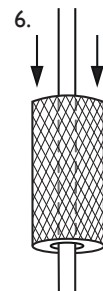
- 4 Tie a knot at this end of the cord to secure it in place.



- 5 Screw the splitter back together.



- 6 Feed the other end of the cord through the smaller hole in the pull weight so that it comes through the other side.



- 7 Tie a knot at this end of the cord (this will determine the overall length of the pull cord), cut off the excess cord and then pull the weight back over the knot. This should cover the knot and secure the weight in place.

